

DIXIE-NARCO, INC.
SERVICE BULLETIN #122

Date: 3/12/71

MODELS: All Slant Shelf Bottle/Can Venders
All Serpentine
All Automatics, Can/Bottle

Reason: To make available to the Field a Temperature Control with the Numbered Knob Feature.

Subject: Installation Instructions - Temperature Control - Knob Type Numbered.

Order As: B/M143,011,900.04 Temperature Control Kit

- DO THIS:
1. Remove the temperature control's mounting bracket.
 2. Install the mounting bracket provided with the Kit.
 3. Install the temperature control on the mounting bracket (Ranco or Cutler Hammer) as shown Fig. 1 or Fig. 2 whichever is applicable.
 4. To obtain a 33°F next to be vended can set the knob at neutral. Neutral is located 1/2 way of the numbered knob.

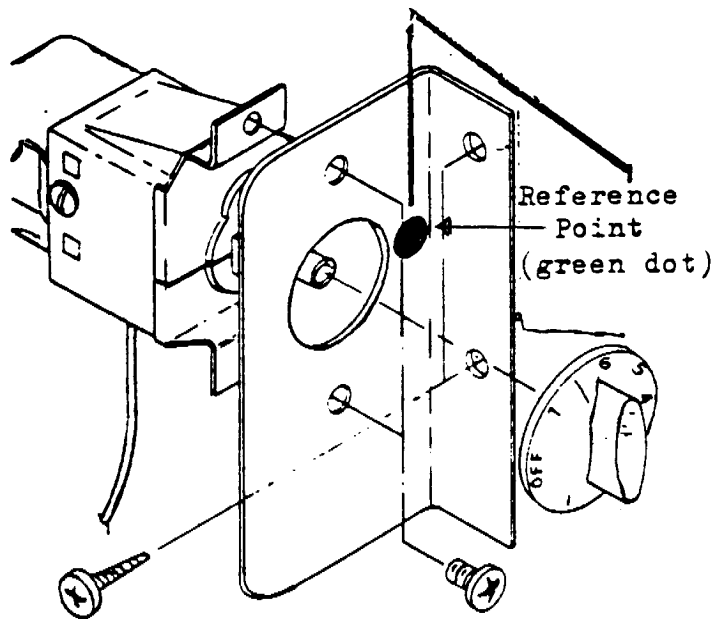


Fig. 1 (Ranco)

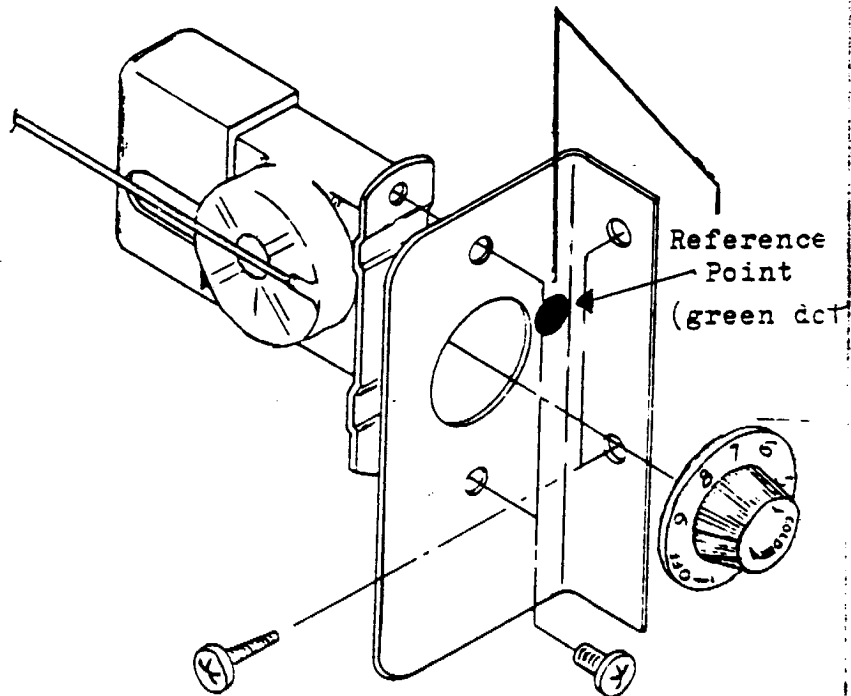


Fig. 2 (Cutler Hammer)

KIT CONSISTS OF:

1	B143,040,110.53	Mounting Bracket, Control
1	903,801,400.01	Green Dot - Reference Point
1	802,800,090.01	Temperature Control With 2 Terminal Screws With 2 Mounting Bracket Screws

DIXIE-NARCO, INC.
Service Department